

The WC4 Series provide precision measurement for sub-metering, controls and energy management without dismantling the main line. Ergonomically designed with secured latch and keying hole for locking or servicing tag, this CT is the most popular among the WC Series.



FEATURES

- 1.3" x 1.7" window opening (ID)
- Secured latch & keying hole for locking/service tag
- Swing open for ease of installation
- Rigid housing case with UL 94V-0 durable plastic
- 6ft black/white twisted pair leads— 16 or 18AWG
- Phoenix style and other terminals (option)

APPLICATIONS

- Energy and sub-metering products
- Electrical load monitoring
- Network equipment
- Instruments and sensors
- Control systems
- Go GREEN initiatives

SPECIFICATIONS

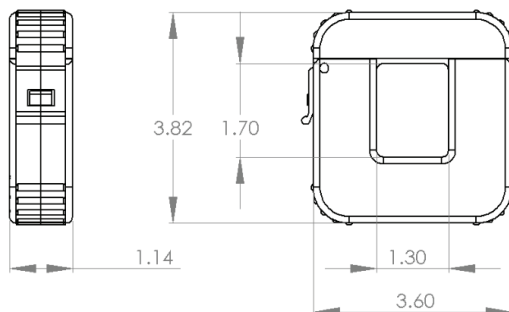
- Standard Input Current 100-400A
- Frequency 50Hz — 400Hz
- Custom design Turns-Ratio available
- Standard accuracy 0.5
- Approximate weight 1.1Lbs
- Clamping voltage on selected models
- ANSI C57.13 and C12.20 Standards

Specifications subject to change without notice

STANDARD PART-NUMBERS

WATTCORE P/N	INPUT RATING	AVAILABLE OUTPUTS (XXXX)
WC4-100-XXXX	100A	CURRENT OUTPUTS @ 20mA, 40mA, 100mA, 1A and 5A VOLTAGE OUTPUTS @ 0.25V, 0.333V, 0.50V, 1V and 2V
WC4-200-XXXX	200A	
WC4-300-XXXX	300A	
WC4-400-XXXX	400A	

DIMENSIONS (Inches)



CAUTION

Before installation, safety precautions must be followed by licensed professional. Never energize primary unless short circuited terminals or burden connected to secondary.



© 2012 WATTCORE LLC